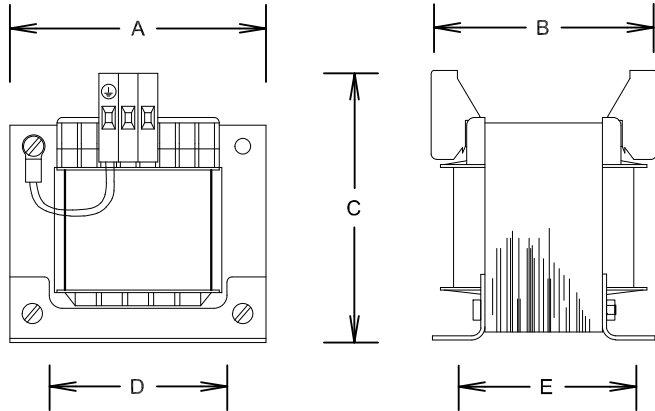
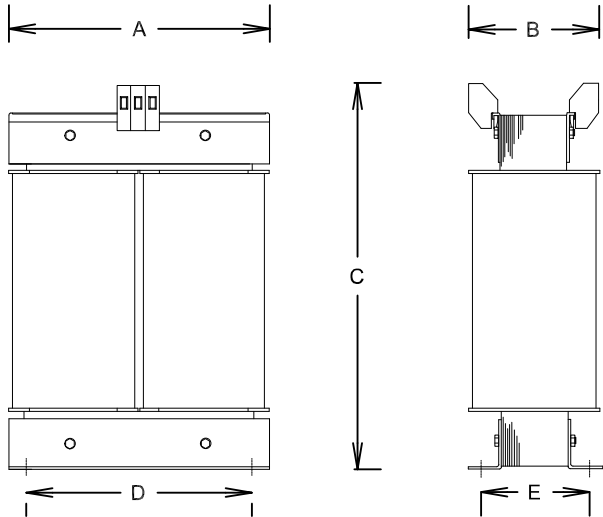


25 - 2500VA



3000 - 5000VA



cCSAus CONTROL TRANSFORMER



VA Options 25-5000VA

Primary Options 100-600V

Secondary Options 12-600V

note 600V windings only for 63-5000VA

Primary terminals with earth terminal

Secondary terminals opposite side

VA	A	B	C	D	E	kg
25	66	68	77	50	40	0.7
50	75	70	86	55	44	1.1
63	75	76	86	55	50	1.5
100	84	78	95	60	63	2.1
150	96	86	102	68	69	2.8
200	96	101	102	68	84	3.7
250	120	88	122	80	68	4.4
300	120	100	122	80	81	5.3
400	120	120	122	80	103	6.5
500	150	135	140	105	70	7.5
750	150	161	140	105	96	10.0
1000	150	188	140	105	123	14.0
1500	192	172	180	160	125	20.5
2000	192	172	180	160	125	20.5
2500	192	192	180	160	153	24.0
3000	200	130	300	160	110	20
4000	200	150	300	160	120	30
5000	240	150	390	200	110	40

ALL DIMENSIONS IN mm

REV.	DATE	DESCRIPTION	BY	CHK	APP	VENDOR NAME		TITLE			
00	19/04/12	ISSUED FOR REVIEW	PB	MB	MB	BOARDMAN TRANSFORMERS LTD		cCSAus Certified control panel transformer			
PROJECT NAME						VENDOR NO.		Manufactured to comply with the requirements of			
CLIENT NAME						DRAWING NO.		C22.2 No. 66.1-06, C22.2 No. 66.2-08 UL5085-1, UL5085-2			
						PROJECT NO.		SIZE	CAGE CODE	DWG NO	REV
						DRAWING NO.		A4			00
						SCALE		N.T.S	SHEET	OF	REV.
									1	1	00