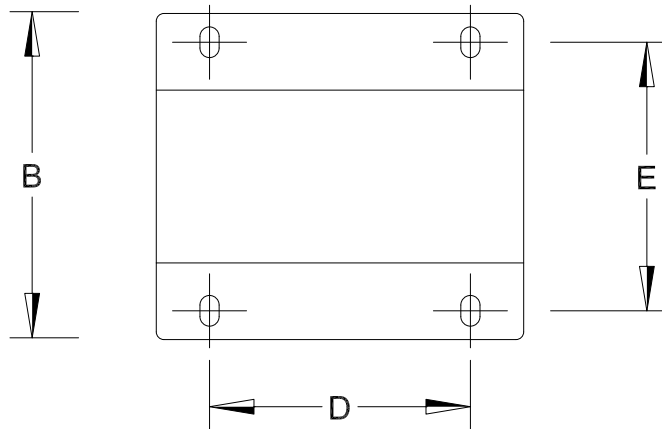
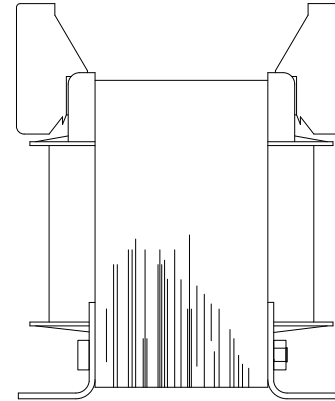
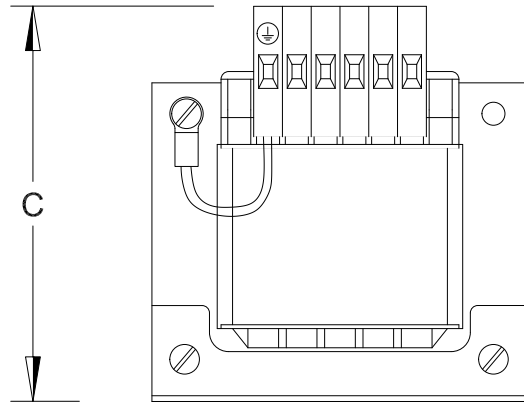


MULTITAP CONTROL TRANSFORMER

Primary connected as follows
 Marked A-B-C-D-E
 A - D = 240V A - E = 415V
 B - D = 230V B - E = 400V
 C - D = 220V C - E = 380V


Secondary Options
 0V - 12V
 12V - 0V - 12V
 0V - 48V
 55V - 0V - 55V
 0V - 230V

Primary terminals with earth terminal
 Secondary terminals opposite side



VA	A	B	C	D	E	kg
25	66	68	77	50	40	0.7
50	75	70	86	53	47	1.1
100	84	78	95	60	68	2.1
150	96	76	102	68	63	2.25
200	96	86	102	68	73	2.8
250	96	101	102	68	88	3.7
300	120	88	122	80	68	4.4
500	120	120	122	80	103	6.5
750	150	145	140	105	80	8.0
1000	150	161	140	105	96	10.0
1500	150	188	140	105	123	14.0
2000	192	150	165	153	125	20.5
2500	192	178	180	153	153	24.0

ALL DIMENSIONS IN mm

REV.	DATE	DESCRIPTION	BY	CHK	APP	VENDOR NAME		TITLE		
00		ISSUED FOR REVIEW	PB	MB	MB	BOARDMAN TRANSFORMERS LTD		CONTROL PANEL TRANSFORMER - SCL		
						VENDOR NO.		MULTIPLE TAPPED INPUT		
						DRAWING NO.		OUTPUT OPTIONS		
						SCALE		Manufactured to comply with the requirements of BS171 IEC61558		
						SIZE	CAGE CODE	DWG NO	REV	
						A4			00	
						SHEET		OF	REV.	
						1		1	00	