

Single Phase Transformers

CL Range Data Sheet

3kVA to 40kVA

Technical data _____

Control Transformer	Class 1 Isolation Transformer with Earth Screen between Primary and Secondary
Standard	IEC / BS-EN 61558
Primary Voltages	TBA
Secondary Voltages	TBA
Frequency	50/60Hz
Insulation Class	B, F or H
Insulation Resistance	> 5 Meg Ω
Dielectric Strength	Primary to Secondary. > 2.5kV Primary to Earth > 2.5kV Secondary to Earth > 2.5kV
Ambient Temperature	40° C

Transformer circuit protection

Transformers must be protected against short circuit and overload

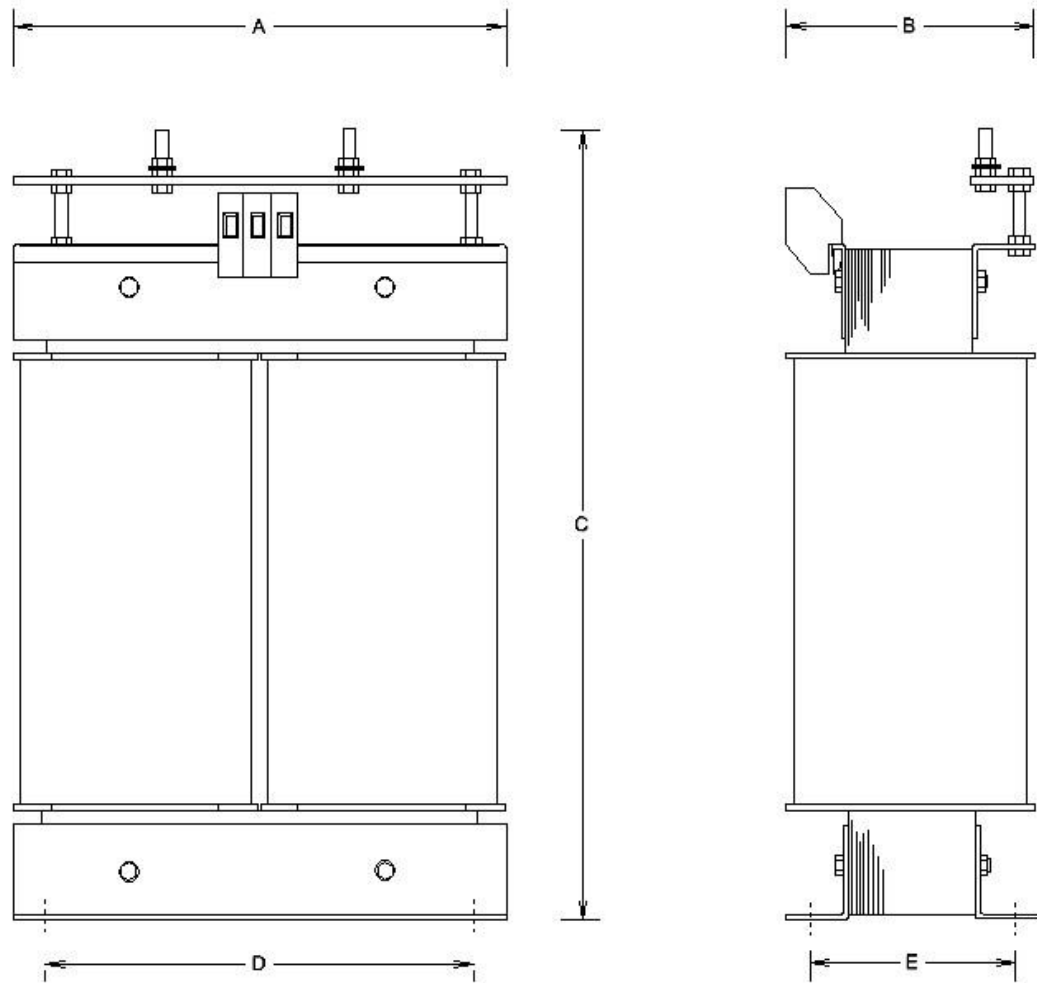
Primary circuit. The primary side of the Transformer should be protected against short circuit thereby cutting the supply voltage in the event of a short circuit fault.

The rating of the primary protection device has to take into account the high inrush current during energizing of the Transformer.

The table below gives suggested protection values to avoid nuisance tripping on inrush

Rating VA	Primary Volts	Amps	Fuse	Type C MCB	Type D MCB	Primary Volts	Amps	Fuse	Type C MCB	Type D MCB
3000	230	13.04	20	40	25	415	7.22	12	25	16
4000	230	17.39	25	63	32	415	9.63	16	40	20
5000	230	21.7	32	63	32	415	12.04	20	40	20
7500	230	32.60	50	63	32	415	18.07	32	40	25
10000	230	43.47	63	100	50	415	24.09	40	50	32
15000	230	65.21	110		63	415	36.14	63		40
20000	230	86.95	150			415	48.19	75		50
30000	230	130.43	200			415	72.28	110		
40000	230	173.91	300			415	96.38	175		

Secondary circuit. The secondary circuit should be protected against short circuit and overload. The value of the protection should be the same or less than the rated output current.



Part No. VA	A	B	C	D	E	Weight Kg	% Reg.	Watts Loss	Inrush VA For 10% Volt drop	Inrush VA For 5% Volt drop
CL3000	200	115	275	160	85	20	3.4	160	11800	7400
CL4000	200	135	275	160	105	25	3.4	170	15700	9800
CL5000	240	140	390	200	100	40	3.1	180	25000	15000
CL7500	240	160	390	200	120	50	3.0	210	43000	25700
CL10000	280	230	440	240	130	70	2.9	254	50000	35000
CL15000	280	260	440	240	170	100	1.9	350		
CL20000	320	320	490	280	200	130	1.9	560		
CL30000	400	350	690	300	170	190	1.8	950		
CL40000	400	350	690	300	180	225	1.8	1100		